

Thermostats

Thermostatic Shower Mixer

Article no.: 274500091
Finish: Chrome
Series: Thermostats

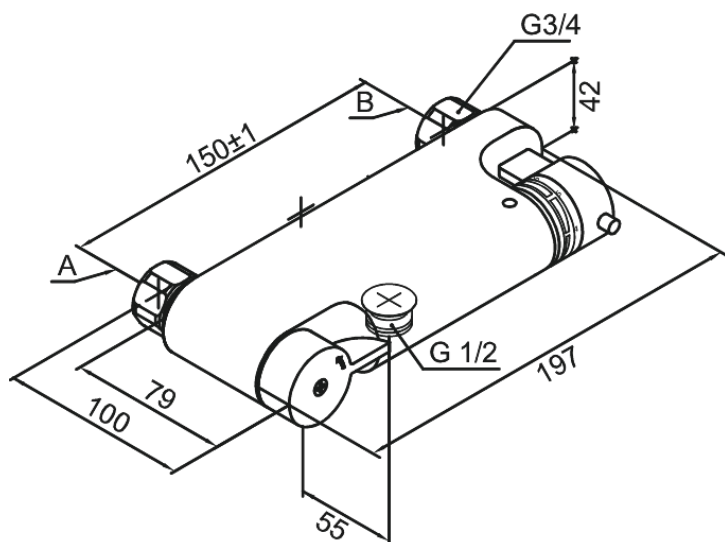
EAN no.: 5708516087090



Standard features:

Scalding protection
Water consumption max. 12 l/min
Standard 150mm centres
Eco-Click water saving feature
1/2" connection for hand shower hose

Product features



FM Mattsson Denmark ApS
Hvidkærvej 48, 5250 Odense SV, DK-56416218

+45 88 33 00 34 danmark@fmmattssongroup.com

Mere information på damixa.com

damixa