

Thermostats

# Thermostatic Shower Mixer

**Article no.:** 274500000  
**Finish:** Chrome  
**Series:** Thermostats

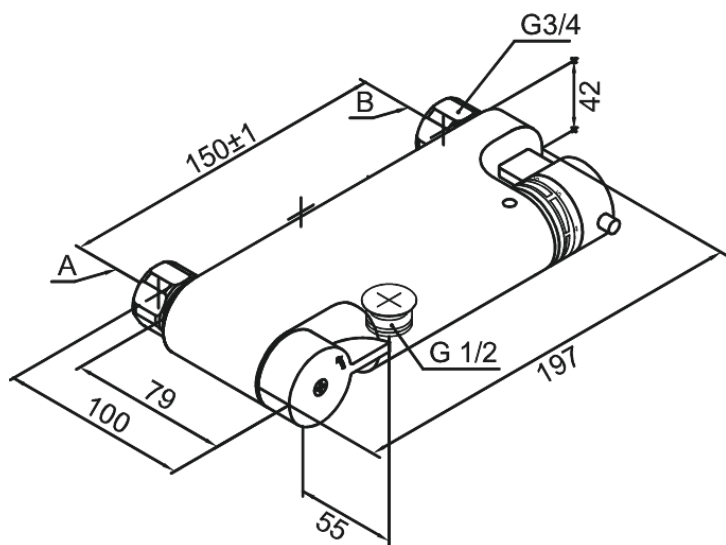
**EAN no.:** 5708516052951



## Standard features:

Scalding protection  
Water consumption max. 12 l/min  
Standard 150mm centres  
Eco-Click water saving feature  
1/2" connection for hand shower hose

## Product features



FM Mattsson Denmark ApS  
Hvidkærvej 48, 5250 Odense SV, DK-56416218

+45 88 33 00 34 danmark@fmmattssongroup.com

Mere information på [damixa.com](http://damixa.com)

**damixa**